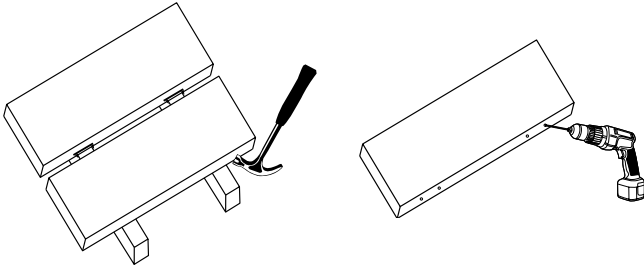


# SECRETS OF THE PROS

- > Two people ease the operation. It helps speed installation and ensure an even surface if one person installs the Tiger Claws, while the second drives the screws. Both should be standing on the deck board as it's driven onto prongs.
- > Let the decking extend over the edge of the deck. Once decking is completed, it can be marked and cut clean and straight.
- > Hammer board. A bevel angle cut on the ends of the board will help it to slide easier across the joists while working your way down the board during installation.

## Difficulty installing deck boards:



When not starting against the house or when very dense composite materials are used, bouncing may occur during installation of first few boards. Following these steps can ease the installation of the first 3-4 courses if difficulties arise.

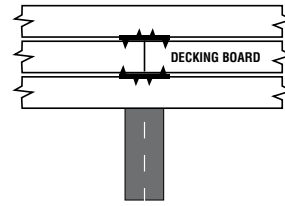
- a** First decking board must be solidly secured and have no movement.
- b** Position next decking board, lightly tapping the board against the fastener prongs to leave impression marks on the edge of deck board.
- c** Using a 1/8" drill bit, drill a hole 1/2" deep on each impression mark.
- d** Place a deck board back into position against prongs, and continue with installation process.

## Railing posts

Railing posts inside frame must be installed as the decking installation progresses. Decking board must be notched and installed; then the post should be placed into notch and secured. Then the next notched decking board should be installed to finish.

Railing posts outside frame: All the decking can be completed. Then decking overhang can be removed until flush with the framing, to receive the post properly.

## Butt Joints

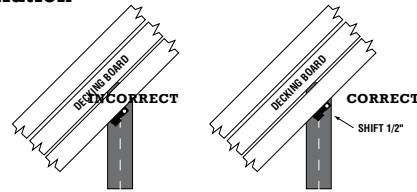


When butt jointing deck boards, drive the first deck board onto prong with the seam end centered over a support. When installing the second deck board, start installation at the butt seam if you prefer a small gap in the butt seam. If you prefer no gap in the butt seam, start installation at the outside end of deck board and work toward seam.

To minimize chances for splitting at board ends of dense material like LP Weatherbest, the manufacturer recommends predrilling fastener holes at butt seams and at outer rim joist.

**For TC-2 only:** Before driving the Tiger Claw into the other side of the butt seam, turn the fastener around so that the outer prongs are driven into the decking first, giving the widest spread across seam.

## 45° Installation



Where deck is in walled corner of house, always start with small triangular piece of decking in that corner and work your way out. When working with small pieces, it is advisable to mark prong impressions and predrill. When installing Tiger Claws, offset the center 3/4" towards the long point of joist, so screw will not exit side of joist when driven.

## Deck board replacement

- > Make two parallel cuts down the center of the board to be replaced and remove center piece.
- > Using small pry bar, remove remaining pieces of decking off prongs.
- > Using cutting pliers, remove prongs down lead side (side with no visible screw heads).
- > Position new board into place, and carefully drive onto remaining prongs. (For dense materials, it may be necessary to predrill holes on board edge, see difficulty installing.)
- > Once board is set into position, secure the lead edge by either a finish nail, finish screw, or counter drill, screw and plug.

## Coverage

- a** Multiply the number of joists by the number of decking boards to equal the number of fasteners needed.
- b** 100 fasteners will cover approximately 50 sq. ft. (using 5.5" decking boards on 16" centers).

## FASTENERS NEEDED (# OF BOXES)

		Deck Size sq. ft.				
		100	200	300	400	500
Joist Spacing (on center)	12"	242 (3)	462 (5)	693 (7)	924 (10)	1114 (11)
	16"	198 (2)	352 (4)	528 (6)	704 (7)	880 (9)
	24"	132 (2)	242 (3)	363 (4)	484 (5)	616 (7)

## GETTING STARTED / INSTALLING TIPS

**IMPORTANT!** Read all instructions carefully and completely to ensure proper installation.

**WARNING!** Parts have sharp points & edges. Use extreme caution when handling & installing. Wear safety glasses at all times.

**IMPORTANT!** Complace leyó las instrucciones aseguran completamente y con cuidado la instalación apropiada.

**LAS ADVERTENCIAS!** las Partes tienen agudo señala y las orillas. Utilice extremo advierte cuándo manejando e instalando.

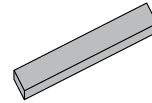
### Tools & Materials Needed



16-20 oz. carpenter hammer



Pliers



Scrap 2" x 4" about 48" long (hammer board)



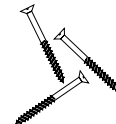
8-10 lb, long handle Sledgehammer



Power screw gun with ratcheting torque setting



1/8" drill bit



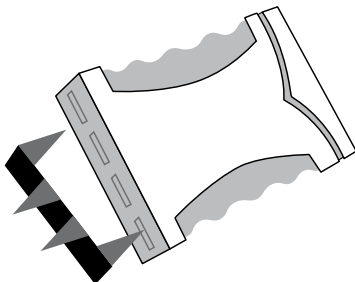
If screws are not supplied, use a #8 x 2" decking screw (stainless steel is recommended)



Safety Glasses

## USING THE FASTENER

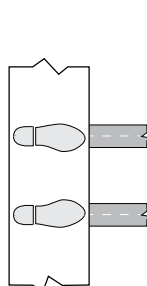
### HOW TO INSTALL INTO BLOCK:



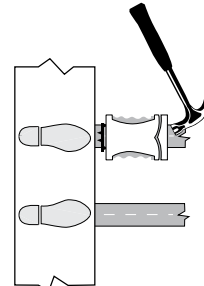
Insert prongs of fastener into slots in installation block.

\*Except for TC-2, fastener can only be inserted into block in one direction. (See "when butt jointing deck boards" in Helpful Tips section.)

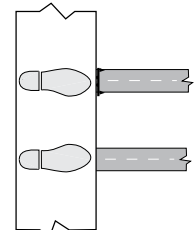
### HOW TO INSTALL INTO BOARD:



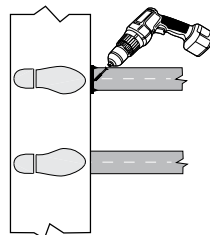
**a** To ensure even deck surface, make sure you are standing on deck board when installing with block.



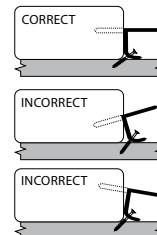
**b** Place block over joist & strike with hammer, then screw into joist.



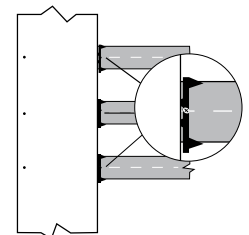
**c** Be sure that fastener is fully installed before installing screw.



**d** Install screw at a 45° angle, through center hole of fastener and down into support joist.



**e** Check position of prongs – make sure prongs are straight out.



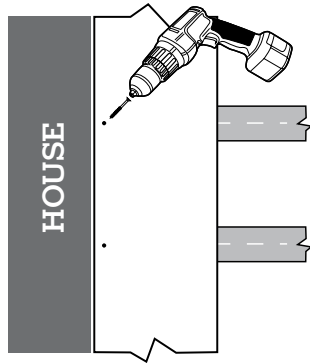
**f** Install one (1) Tiger Claw fastener and screw into edge of deck board at each support joist. Your deck surface should look like this before proceeding with the next section.

YOU ARE NOW READY TO BEGIN THE INSTALLATION PROCESS.

# INSTALLATION PROCESSES

Step  
**1**

## INSTALLING THE FIRST BOARD.

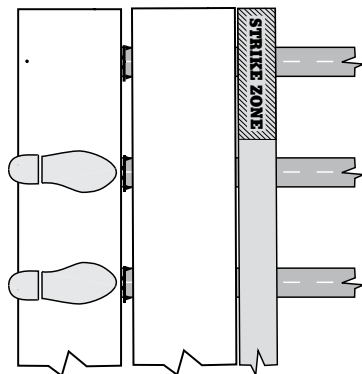


- a** Place board **tight** against house\*.
- b** Fasten **only** the edge along the house, driving a 2 1/2" deck screw at every joist through the decking and into solid support.
- c** Install a Tiger Claw Fastener and screw into edge of first board at each support.
- d** Board **must** be solidly secured. Any movement of board may result in installation difficulties.

\*If not starting against the house, see "difficulty installing deck board" in Secrets of the Pros section.

Step  
**2**

## POSITION DECKING BOARD.

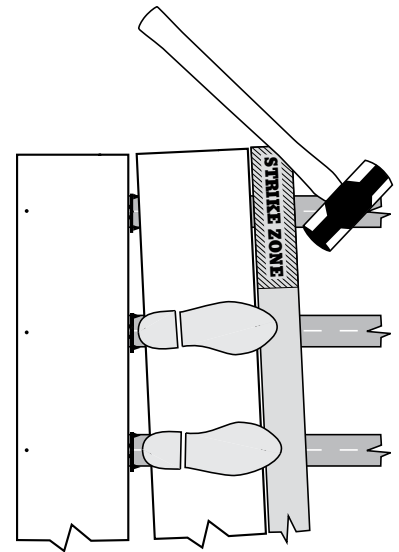


- a** Position the next decking board to be installed loosely against fastener points.
- b** Place the hammer board against the deck board to prevent hammer marks\*.
- c** Always start installation at the end of deck board.

\*Hammer board should be a 2" x 4" no more than 4' in length; anything larger than 2" x 4" will make installation more difficult. When installing, position hammer board so that outer 10" (strike zone) will be utilized.

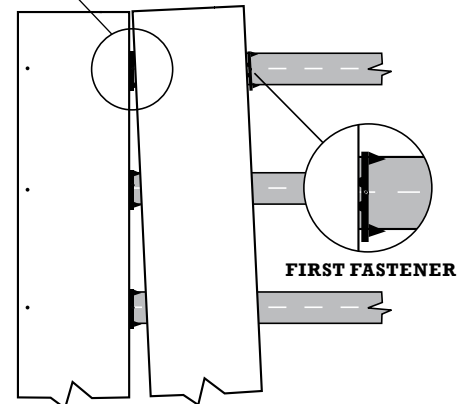
Step  
**3**

## INSTALL FIRST FASTENER.



- a** While standing on first deck board, drive onto prongs of first fastener by striking hammer board **ONCE** with long handle sledgehammer. Make sure proper gapping is obtained.

### PROPER GAPPING

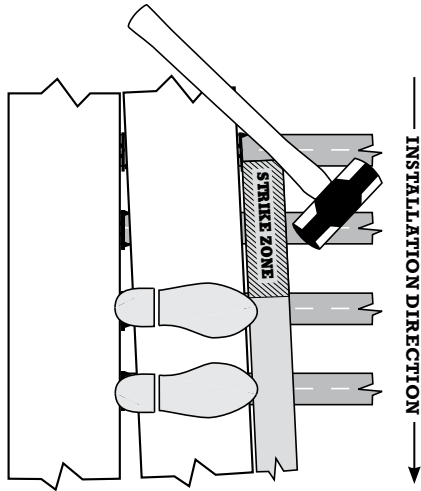


- b** At this point, install your first fastener and screw on outer edge of second board. This will help hold the board in place and keep from recoiling.

**Tiger Claw**<sup>®</sup>  
Hidden Deck Fasteners

Step  
**4**

## WORKING YOUR WAY DOWN THE BOARD.

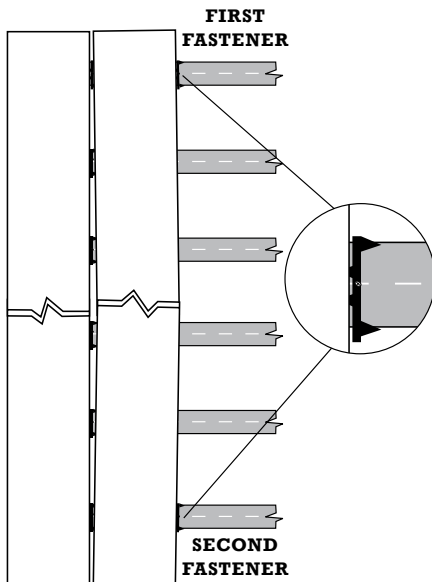


- a** Continue down the length of the board striking the hammer board **ONCE** at each joist.  
**DO NOT** try to fully install deck board onto prongs on the first pass.

**NOTE:** While moving down the length of the deck board, swing hammer on the side of your body from which you started the installation. (See illustration.)

Step  
**5**

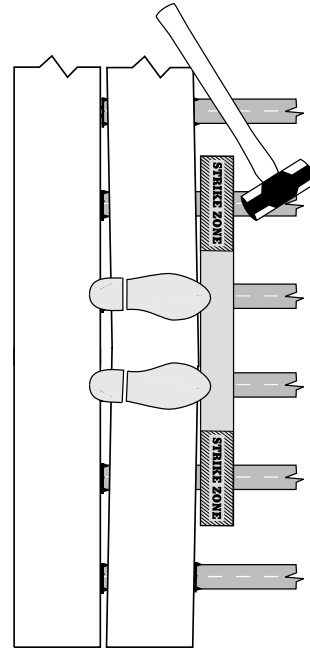
## INSTALLING THE SECOND FASTENER.



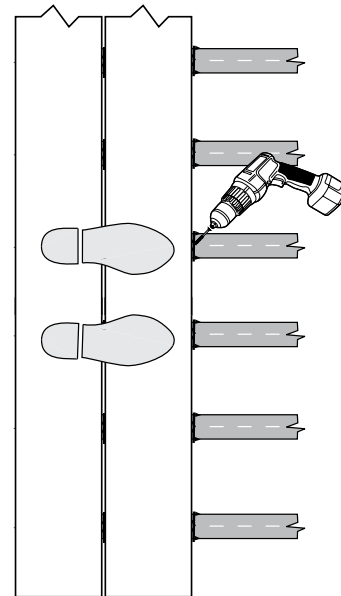
Once the end of the board is reached, drive end until proper gap is achieved, then install Tiger Claw fastener & screw to hold in place like at the beginning of board.

Step  
**6**

## COMPLETING INSTALLATION OF BOARD.



- a** Work your way back across the center of the deck board, carefully swinging the sledgehammer once at each joist, until you obtain proper gapping at each fastener.



- b** Once a proper gap is achieved a Tiger Claw fastener & screw can be installed at each joist.

**NOTE:** If bouncing occurs do not continue to hit with sledgehammer at that joist; move onto next joist and reduce force of swing. Please note that over-hitting can cause damage to both fastener and decking board.

**Repeat steps 1-6 until your deck is complete.**